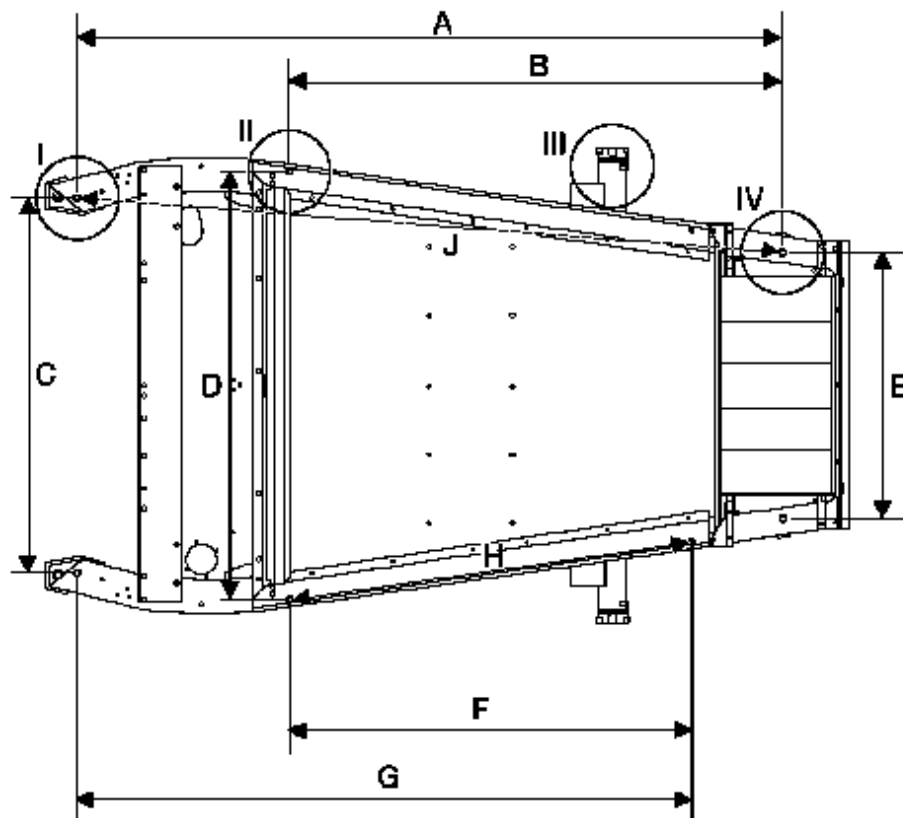


Body Dimension Chart

Underbody alignment values

All dimensions in mm without tolerance.
Tolerance: ± 2 mm

Position	Dimension
A	2038.5
B	1426.0
C	1083.0
D	1238.0
E	764.5
F	1161.5
G	1774.0
H	1173.5
J	2044.5

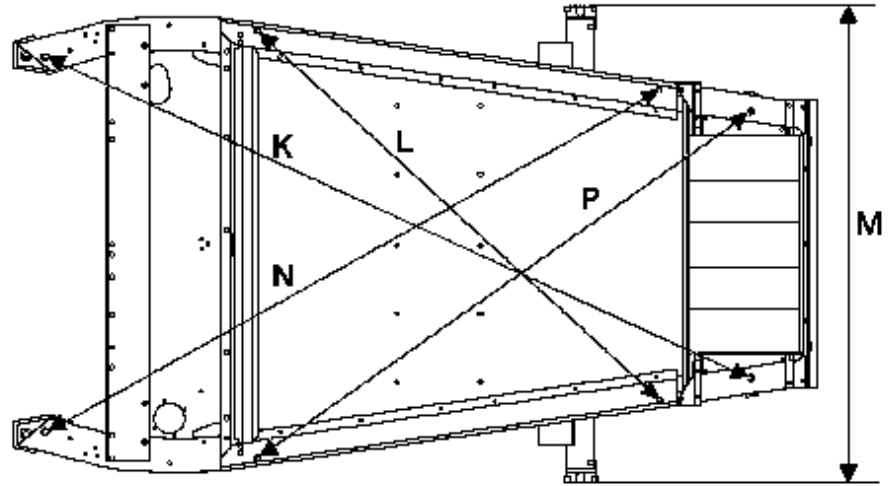


S 0005765

Underbody alignment values

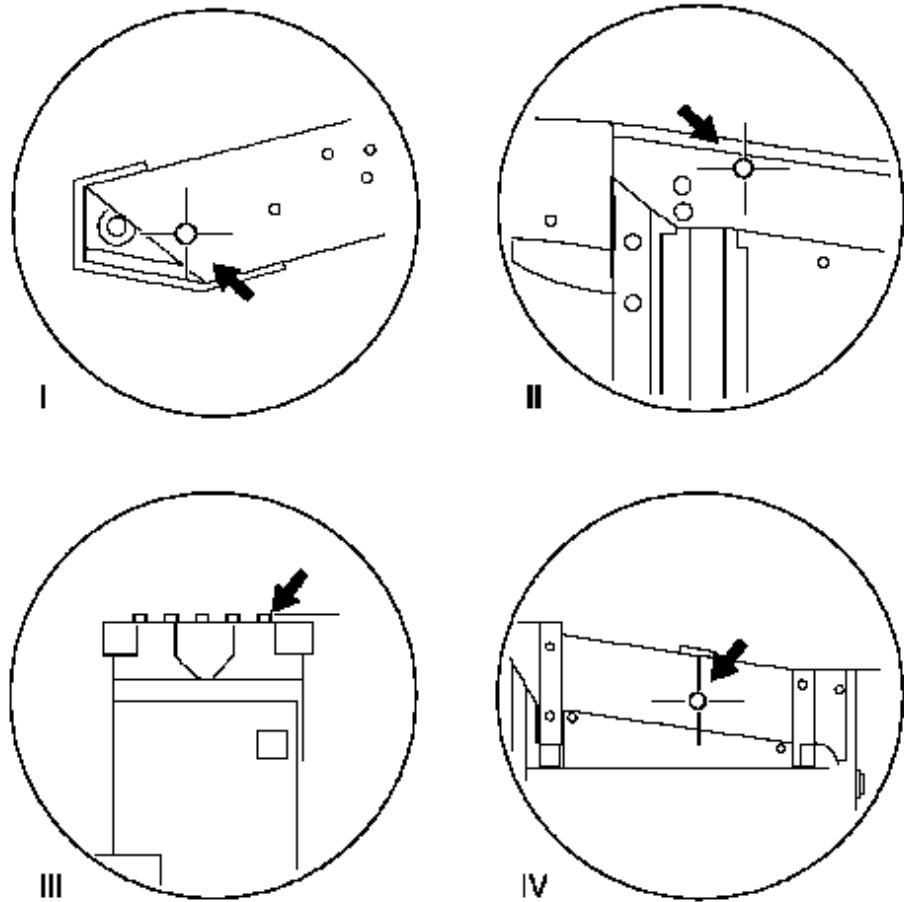
All dimensions in mm without tolerance.
Tolerance: ± 2 mm

Position	Dimension
K	2238.0
L	1579.0
M	1375.5
N	2032.5
P	1742.5



S 0005766

Location of datum points

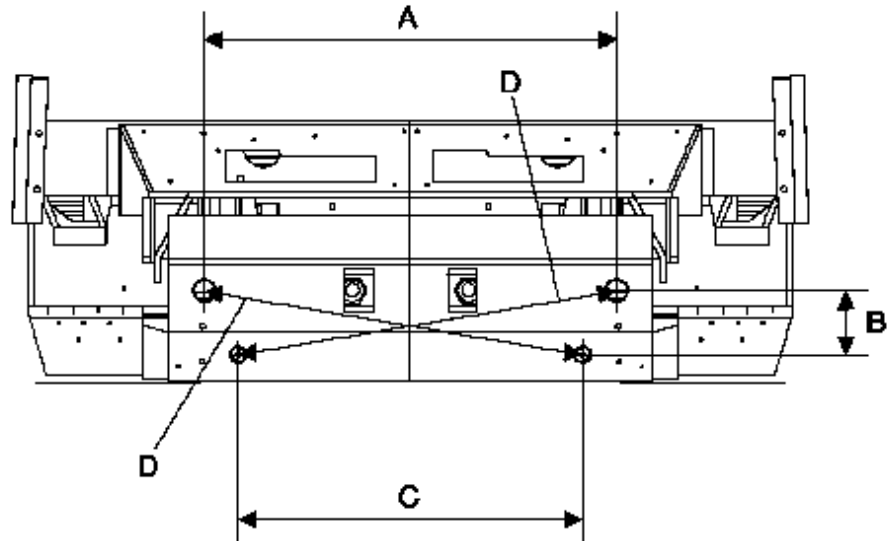


S 0005767

Front view of chassis frame

All dimensions in mm
without tolerance.
Tolerance: ± 2 mm

Position	Dimension
A	709.0
B	110.5
C	592.0
D	660.0

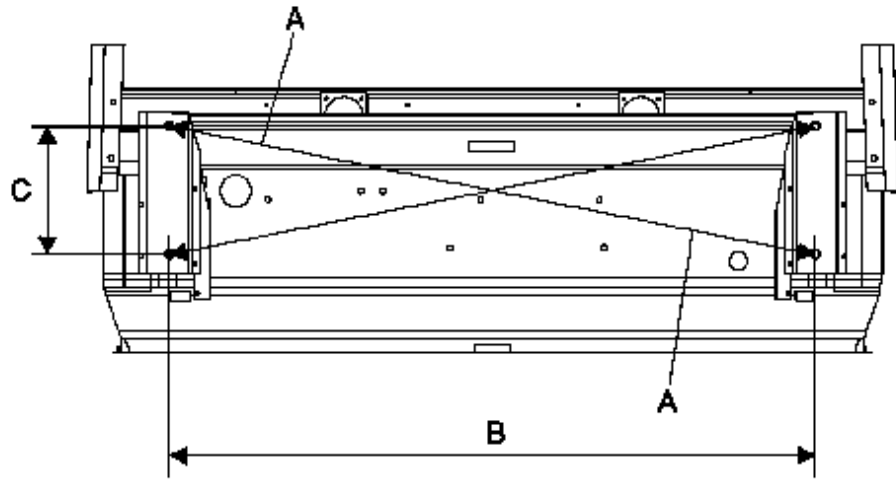


S 0005763

Rear view of chassis frame

All dimensions in mm
without tolerance.
Tolerance: ± 2 mm

Position	Dimension
A	1114.5
B	1093.5
C	215.5



S 0005764